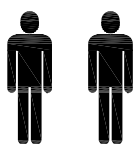
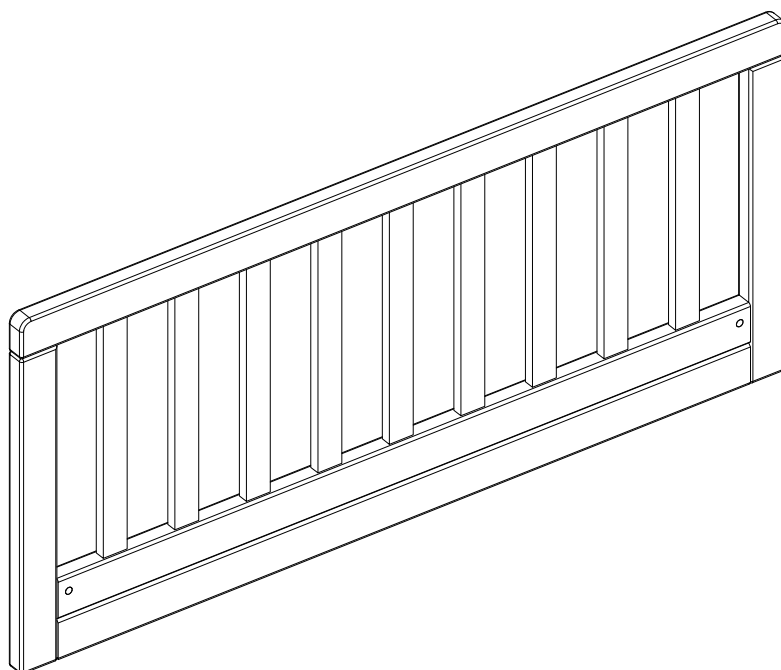




Toddler Guard Rail

Assembly Instructions



IMPORTANT:
THE ASSEMBLY OF THIS PRODUCT
MAY REQUIRE TWO PEOPLE

IMPORTANT:
PLEASE READ THE INSTRUCTIONS CAREFULLY AND KEEP FOR FUTURE REFERENCE

Read all instructions BEFORE assembly and USE of the product. KEEP INSTRUCTIONS FOR FUTURE USE.

***IMPORTANT, RETAIN FOR FUTURE REFERENCE*
PLEASE READ CAREFULLY**

Boori International Pty Ltd
18-20 Charles Street
St. Marys Sydney NSW
2760 Australia
Ph: 61 2 9833 3769
Fax: 61 2 9673 4240

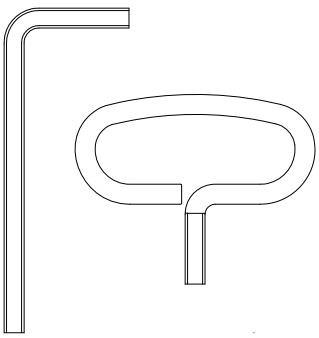
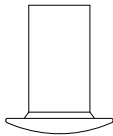
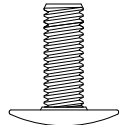
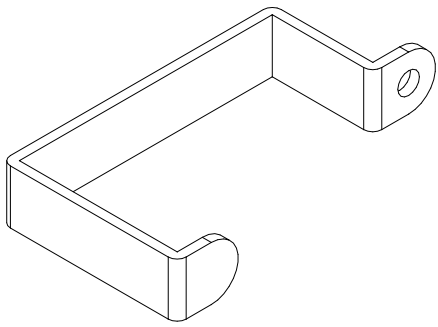
Boori (UK) Ltd
Unit 1, Transigo
Gables Way
Thatcham
RG19 4ZA
Ph: (44) 016 3529 5670
Fax: (44) 016 3587 7552

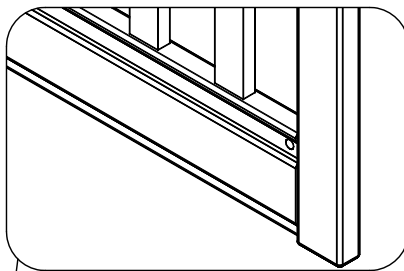
Boori USA LLC
20 Chapin Road, Suite 1001
Po Box 406
Pine Brook, NJ 07058
Ph: +1 973 577 6933
Fax: +1 973 577 6934

Boori Japan Co.,Ltd
401A, 4-2-10 Kitakyuhoji-machi,
Chuo-ku, Osaka 541-0057 Japan
Ph: 06-4963-3939
Fax: 06-4963-3900
E-mail: info@boori.co.jp

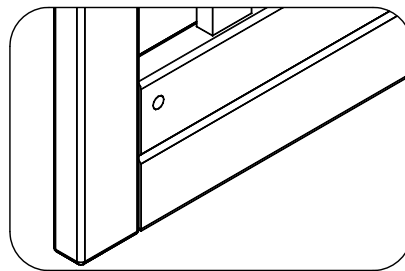
Instructions for Toddler Guard Rail(BP-TGR)

Hardware and Parts List

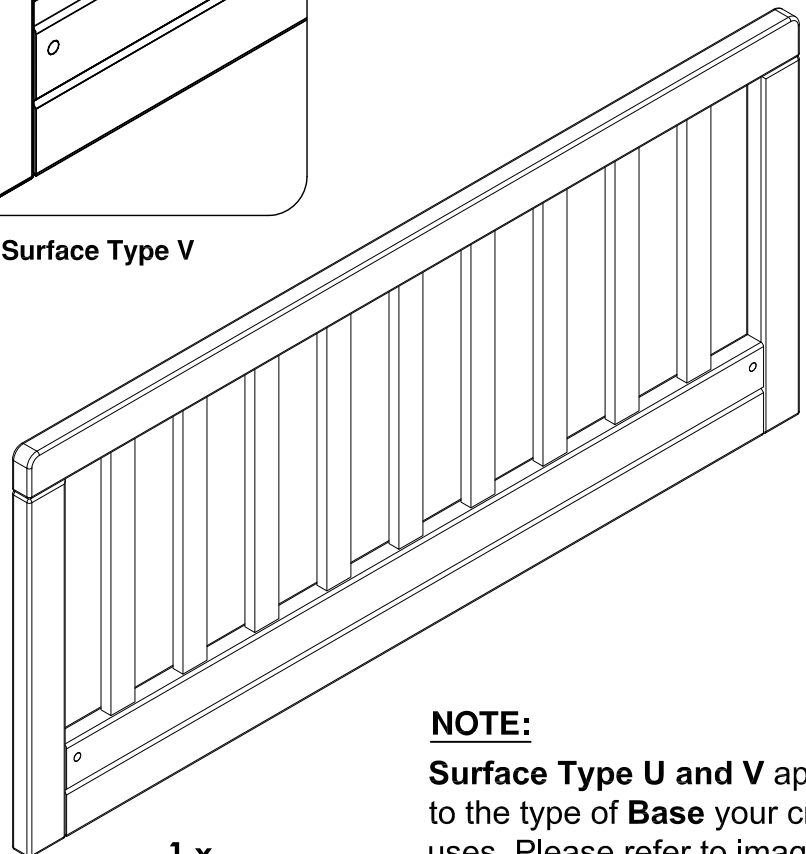
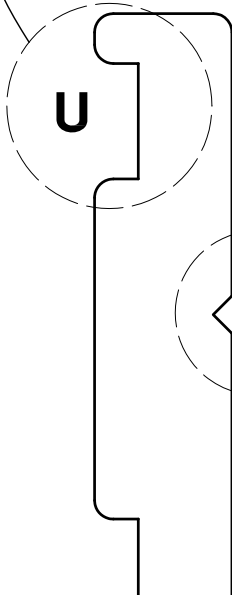
2 x Allen Keys	2 x M6*14mm Capping nuts	2 x M6*13mm Connecting bolts	2 x Connecting hardware
	<p>A</p> 	<p>B</p>  <p>Actual size</p>	<p>C</p> 



Surface Type U



Surface Type V

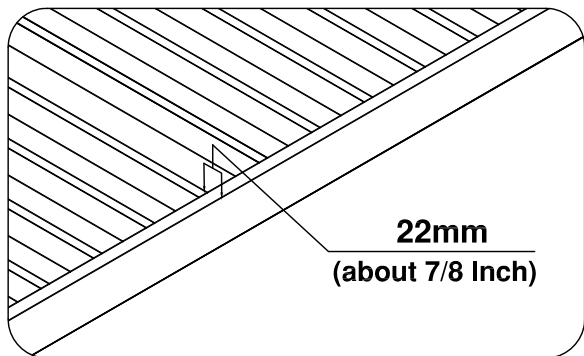


1 x
Toddler Guard Rail

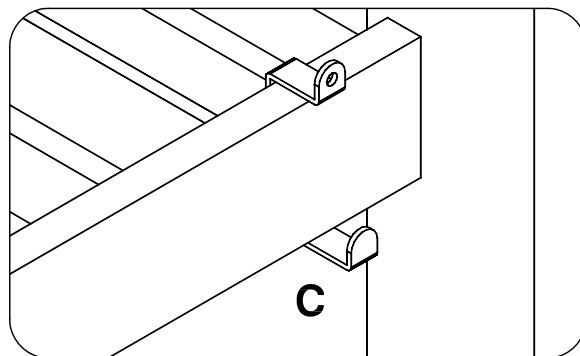
NOTE:

Surface Type U and V apply to the type of Base your crib uses. Please refer to images shown to determine which assembly instruction to follow.

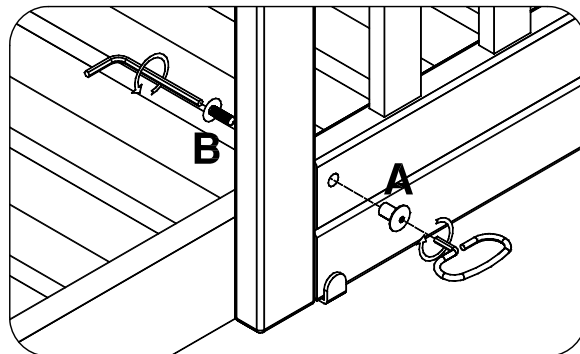
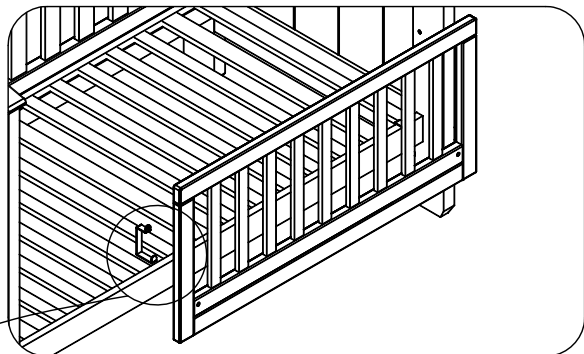
ASSEMBLY INSTRUCTIONS



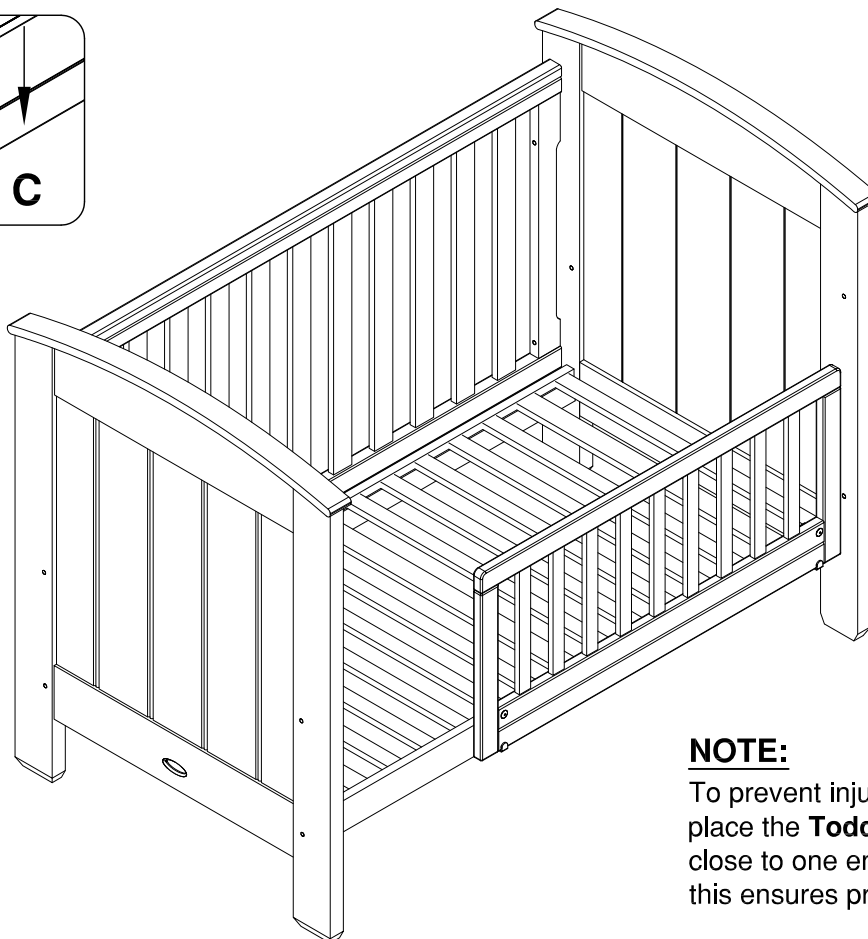
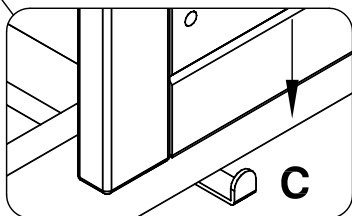
Step 1: Surface V should face outward when measuring the longest component of the base at 22mm (about 7/8 inch) wide as shown.



Step 2: Assembly Connecting Hardware C onto the side of Base as shown.



Step 4: When attaching connecting hardware, Capping Nuts A go on the outside of the guard rail and Connecting Bolts B go on the inside.



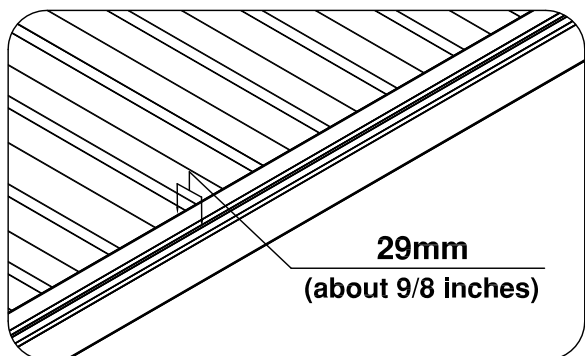
NOTE:

To prevent injuries your children, place the Toddler Guard Rail close to one end of the crib, this ensures proper spacing.

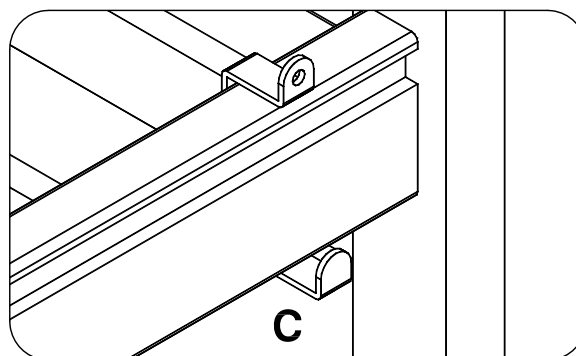
A x 2 B x 2 C x 2



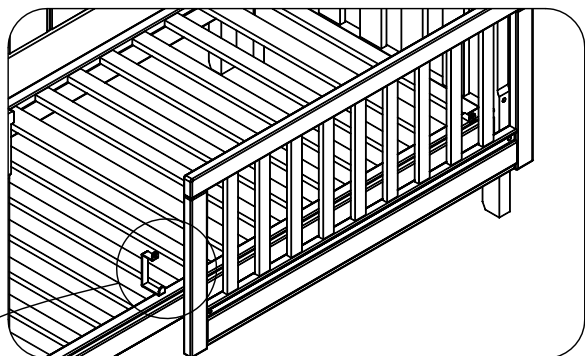
ASSEMBLY INSTRUCTIONS



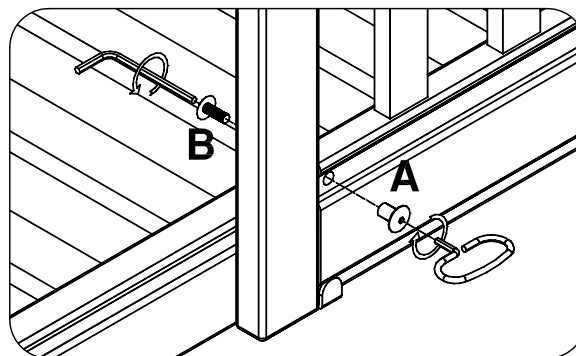
Step 1: Surface **U** should face outward when measuring the longest component of the base at **29mm (about 9/8 inches)** wide as shown.



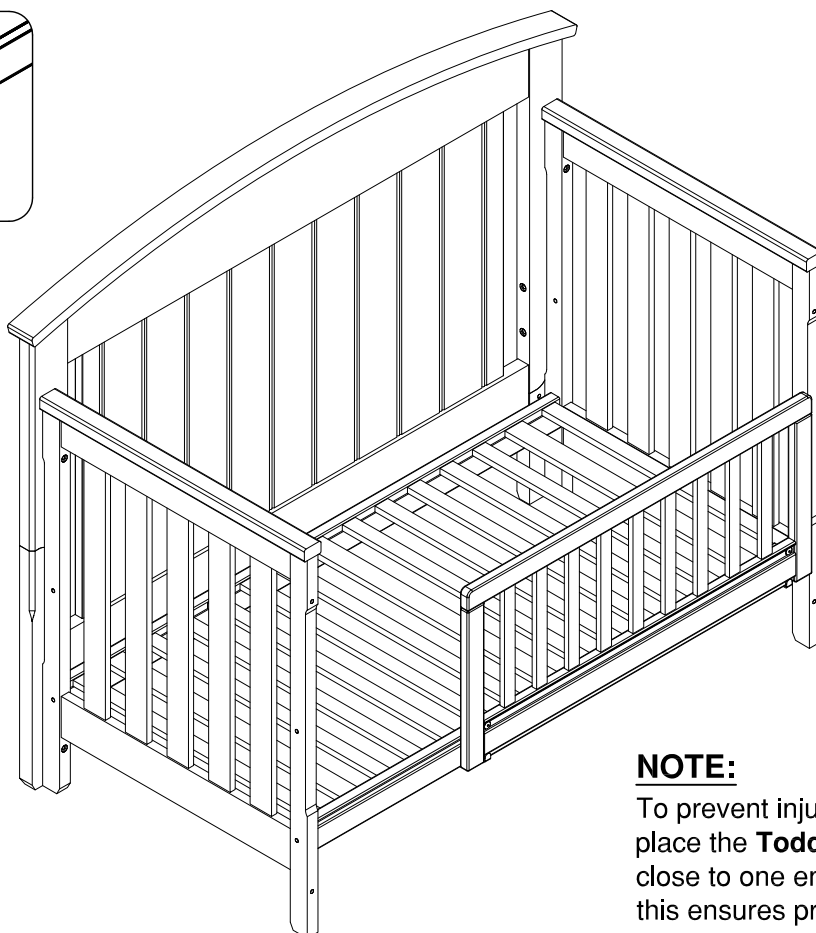
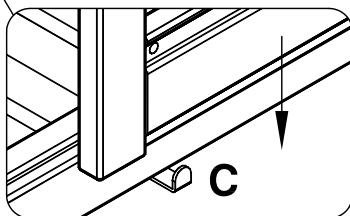
Step 2: Assemble **Connecting Hardware C** onto the side of base as shown.



Step 3: Insert the **Toddler Guard Rail** vertically into **Connecting Hardware C**, making sure the holes for the bolts line up.



Step 4: When attaching connecting hardware, **Capping Nuts A** go on the outside of the guard rail and **Connecting Bolts B** go on the inside.



NOTE:

To prevent injuries your children, place the **Toddler Guard Rail** close to one end of the crib, this ensures proper spacing.

